



*Slip-fitter mounting bracket included

The E3SBH series area light from Energetic is a thoughtful recreation of the classic shoebox area light fixture, combined with the best of leading LED technology. The fixture footprint gives that classic look, while the slim tapered, self-cleaning profile suggests exceptional performance. The tested efficacy of 140 LM/W is offered across the family wattages from 100W through 350W. This makes the E3SBH series ideal for replacing legacy fixtures from 250W to 1000W MH. Options include multiple mounting configurations and NEMA PC receptacle. Other key features include: Bottom side access door, large area heat sinking above arrays, single panel optics, standard SPD of 10 KA, and low EPA ratings. Ships with an adjustable slip-fitter mount with optional fixed arm and yoke mount also available separately, see mounting options below for more information.

Features

- High input voltage: 347-480
- Full cutoff light profile
- Ground facing access door
- Modern and efficient design
- Suitable for wet location use
- Multiple optic variations available
- Matte brown TGIC polyester color finish
- 10 KA SPD surge protection
- Slip-fitter mount (included)
- Optional fixed arm and yoke mount

Applications

- Commercial locations
- Parking lots
- Site and street lighting
- General area lighting

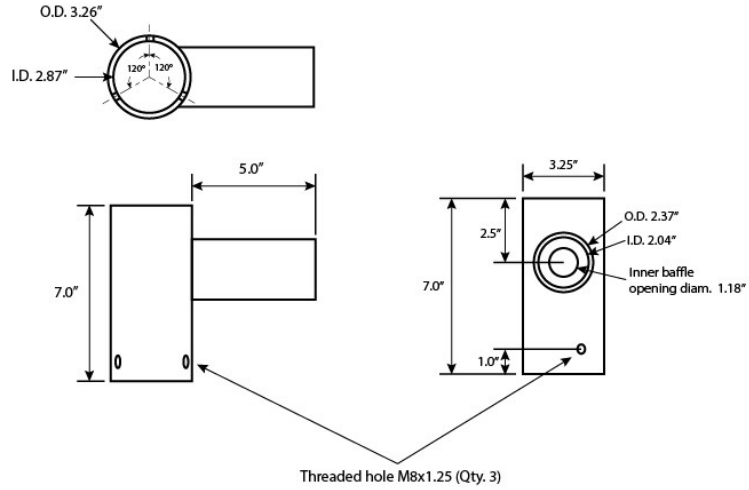
Specification

Order Number	75051	75053	75055	75057	75059
Model Number	E3SBH100L3-750	E3SBH150L3-750	E3SBH240L3-750	E3SBH300L3-750	E3SBH350L3-750
Configuration	with Photocell	with Photocell	with Photocell	with Photocell	with Photocell
Body Color/Finish	Bronze	Bronze	Bronze	Bronze	Bronze
Optical Distribution	Type III	Type III	Type III	Type III	Type III
Lumen Output	15218 LM	22245 LM	36459 LM	45601 LM	49962 LM
Luminous Efficacy	149.34 LM/W	148.9 LM/W	153.45 LM/W	152.31 LM/W	143.65 LM/W
Input Power	101.9 W	149.4 W	237.6 W	299.4 W	347.8 W
Equivalent Wattage	equiv. 250W MH	equiv. 400W MH	equiv. 500W MH	equiv. 750W MH	equiv. 1000W MH
Input Voltage	347-480 Vac	347-480 Vac	347-480 Vac	347-480 Vac	347-480 Vac
Power Factor	0.95	0.95	0.95	0.95	0.95
THD	0.15	0.15	0.15	0.1	0.1
Color Temp (CCT)	5000 K	5000 K	5000 K	5000 K	5000 K
Color Rend (CRI)	70	70	70	70	70
Lifetime Rating	50000 hours	50000 hours	50000 hours	50000 hours	50000 hours
Warranty	10 Years	10 Years	10 Years	10 Years	10 Years
Dimmability	No	No	No	No	No
Operating Temp	-13 to 104 (°F)	-13 to 104 (°F)	-13 to 104 (°F)	-13 to 104 (°F)	-13 to 104 (°F)
Environment	Wet Location	Wet Location	Wet Location	Wet Location	Wet Location
DLC	DLC-P	DLC-P	DLC-P	DLC-P	DLC-P
Safety Cert	UL	UL	UL	UL	UL
Weight	16.4 LBS	16.4 LBS	25.6 LBS	25.6 LBS	25.6 LBS
Dimensions	17x10.2x3.6 (in)	17x10.2x3.6 (in)	19.3x17x3.6 (in)	19.3x17x3.6 (in)	19.3x17x3.6 (in)

Options and Accessories

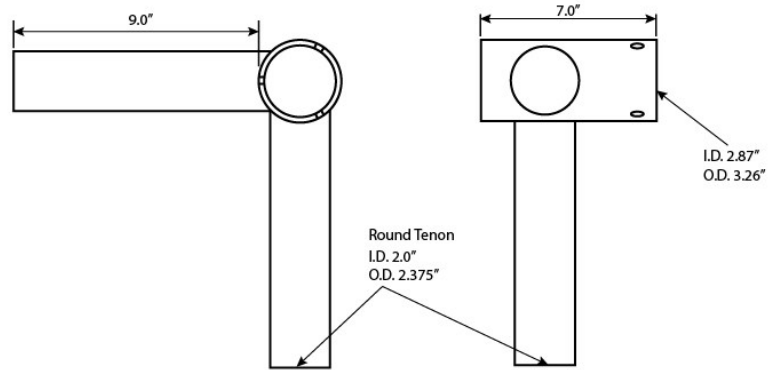
Tenon adapters and options

E1ST-TN1



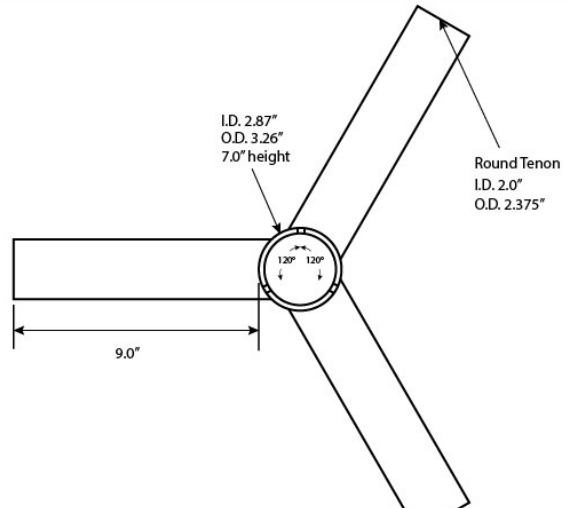
E1ST-TN2

Top cap cover provided



E1ST-TN3

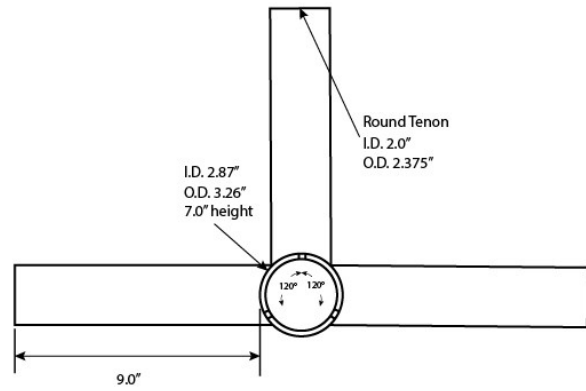
Top cap cover provided





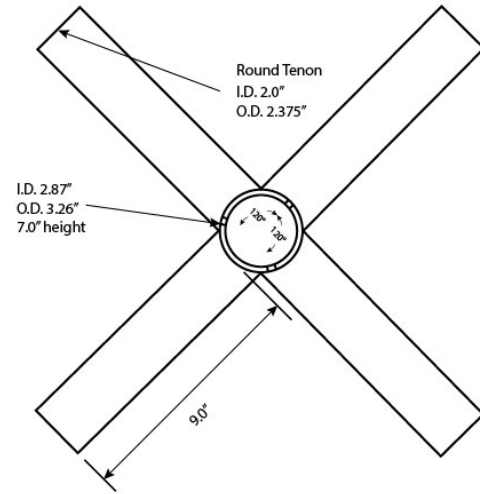
E1ST-TN3A

Top cap cover provided

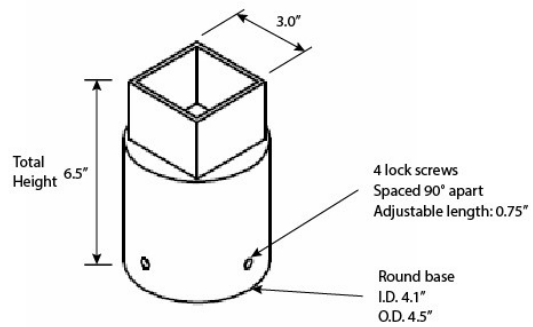


E1ST-TN4

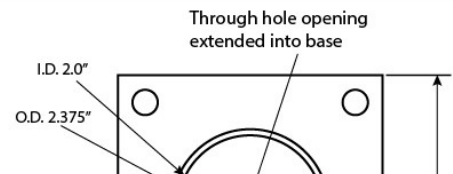
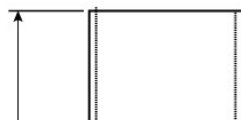
Top cap cover provided

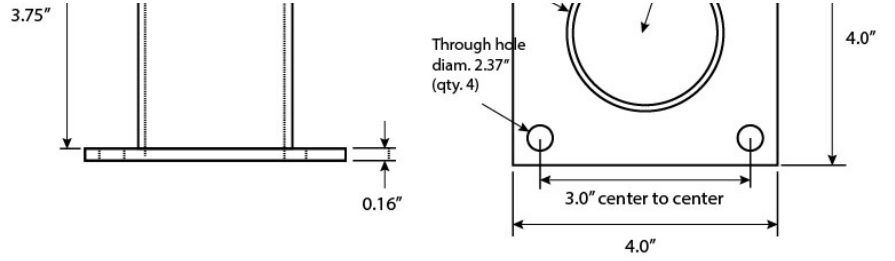


E1MNT-TRAN4



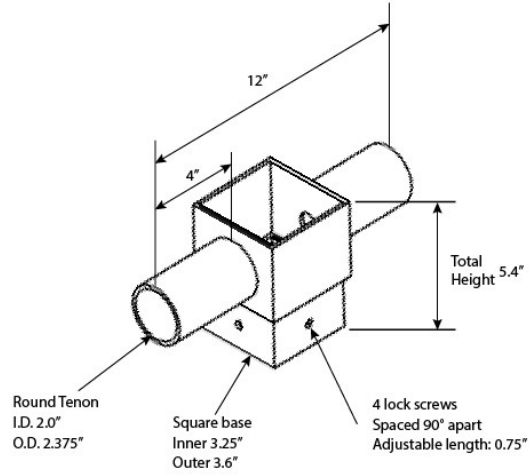
E1MNT-TNH1



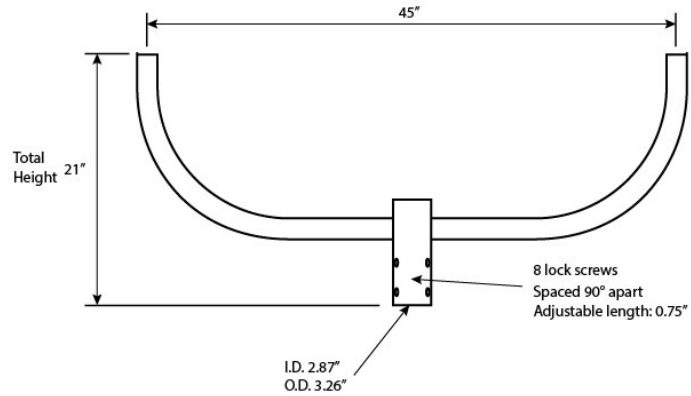


E1MNT-TNH2

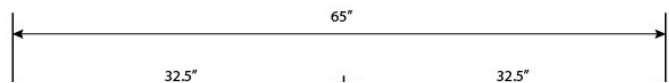
Top cap cover provided

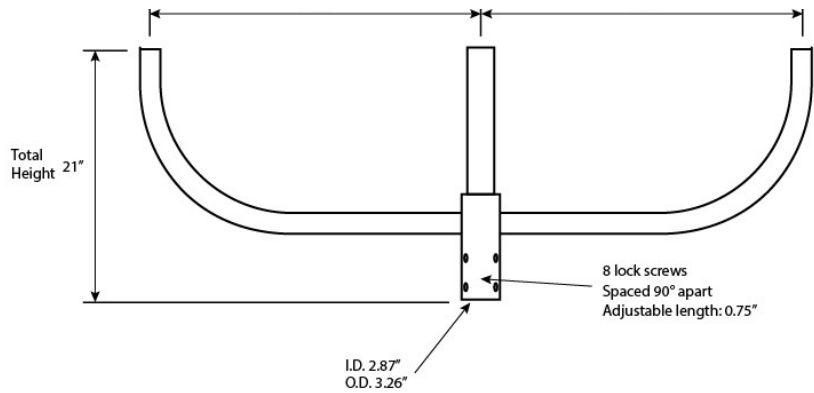


E1MNT-BH2



E1MNT-BH3

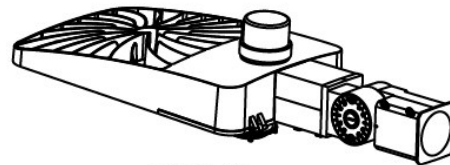




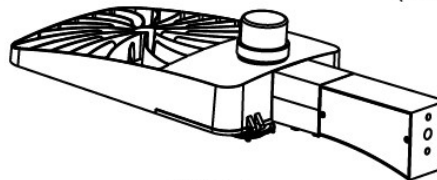
Supplementals Information

Mounting adapter options

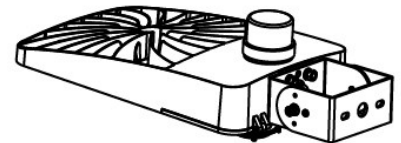
Three mounting options are available for the E3SB series shoebox fixtures. Included by default is E3SB-A1 which is an adjustable round slip-fitter adapter that accommodates a variety of tenon angles. E3SB-ARM is a fixed-angle extension that mounts to either the flat face of a rectangular post, or round post. E3SB-SVL is a general purpose yoke adapter for flood light applications.



E3SB-A1
Round Slip-fitter
(included by default)



E3SB-Arm
Post Surface

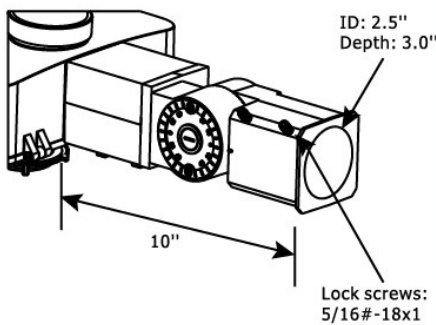


E3SB-SVL
Yoke adapter

Specifications

E3SB-A1

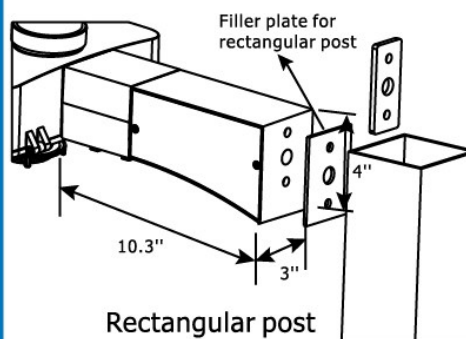
General Dimensions



Adjustable swing angle range

E3SB-ARM

General Dimensions

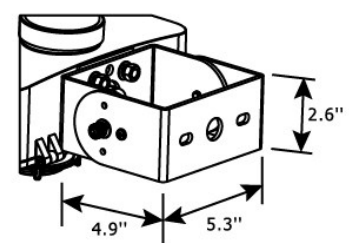


Rectangular post

Filler plate for round post

E3SB-SVL

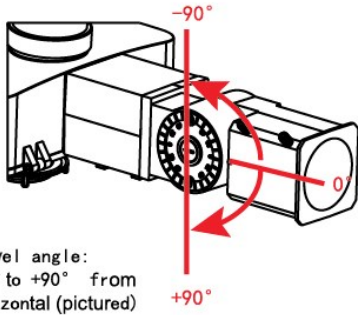
General Dimensions



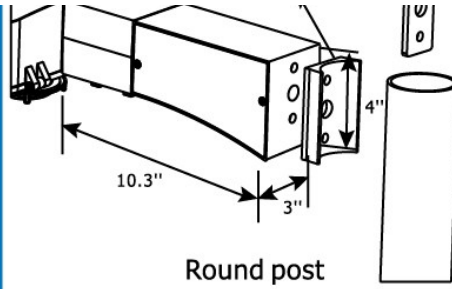
Adjustable swing angle range



Adjustable swing angle range

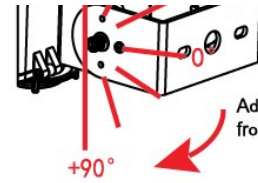
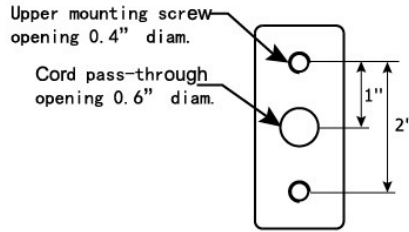


Swivel angle:
-90° to +90° from
horizontal (pictured)



Round post

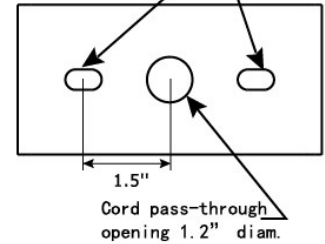
Bracket mounting pattern



Adjustable angle
from -90° to +90°

Bracket mounting pattern

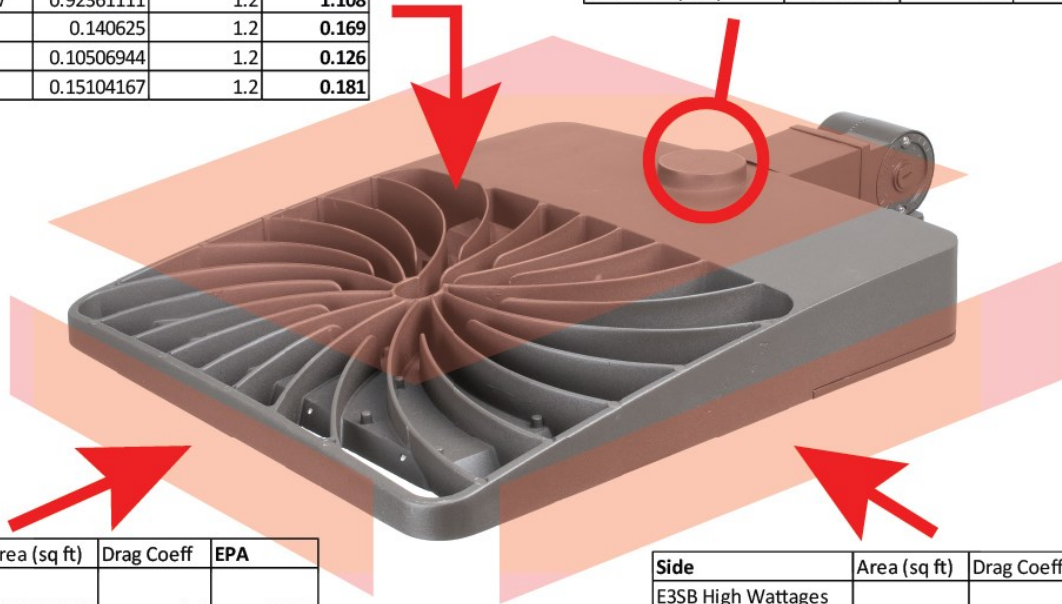
Mounting screw slots
0.4" width x 1.1" length



EPA Wind Rating Information

Top	Area (sq ft)	Drag Coeff	EPA
E3SB High Wattages 50, 70, 100, 150W	1.8125	1.2	2.175
E3SB Low Wattages 200, 240, 300, 350W	0.92361111	1.2	1.108
E3SB-ARM (add)	0.140625	1.2	0.169
E3SB-SVL (add)	0.10506944	1.2	0.126
E3SB-A1 (add)	0.15104167	1.2	0.181

Accessories	Area (sq ft)	Drag Coeff	EPA
Shorting Cap (add)	0.03125	1.2	0.038
Photocell (add)	0.04166667	1.2	0.050



Front	Area (sq ft)	Drag Coeff	EPA
E3SB High Wattages 50, 70, 100, 150W	0.37152778	1.2	0.446
E3SB Low Wattages 200, 240, 300, 350W	0.23090278	1.2	0.277
E3SB-ARM (add)	0	1.2	0.000
E3SB-SVL (add)	0	1.2	0.000
E3SB-A1 (add)	0.07291667	1.2	0.088

Side	Area (sq ft)	Drag Coeff	EPA (sq ft)
E3SB High Wattages 50, 70, 100, 150W	0.36333333	1.2	0.436
E3SB Low Wattages 200, 240, 300, 350W	0.34152778	1.2	0.410
E3SB-ARM (add)	0.16041667	1.2	0.193
E3SB-SVL (add)	0.09548611	1.2	0.115
E3SB-A1 (add)	0.15104167	1.2	0.181

Dimensions and Packaging Info

Model Number	E3SBH100L3-750	E3SBH150L3-750	E3SBH240L3-750	E3SBH300L3-750	E3SBH350L3-750
Item UPC	845940008026	845940008033	845940008040	845940008057	845940008064
Case UPC	10845940008023	10845940008030	10845940008047	10845940008054	10845940008061
Master Carton UPC					
Item(s) per pack	1 per pack	1 per pack	1 per pack	1 per pack	1 per pack
packs per case					
Case per Master					
Item weight					
Case weight					
Master Weight					
Item pack dimensions	22x13x8 (in)	22x13x8 (in)	24x19x8 (in)	24x19x8 (in)	25x19x8 (in)
Case dimensions					
Master dimensions					